

# LED Indoor Luminaires Undercabinet 120VAC, 50/60Hz

Part #: VRAU09\*\*, VRAU14\*\*  
VRAU22\*\*, VRAU32\*\*  
VRAU40\*\*

## Safety Precautions

- Read all safety precautions and installation instructions carefully before installing or servicing this fixture. Failure to comply with these instructions could result in potentially fatal electric shock and/or property damage.
- It is recommended that a qualified electrician perform all wiring. This fixture must be wired in accordance with all national and local electrical codes.
- Do not handle any energized fixture or attempt to energize any fixture with wet hands or while standing on a wet or damp surface or in water.
- This fixture is designed for use in a 120VAC, 50/60Hz circuit. This fixture is compatible with a TRIAC (forward-phase or leading-edge) / ELV (reverse-phase or trailing-edge) dimmer.
- Make sure that the power source conforms to the requirements of the fixture. (See labels on the fixture housing).
- To reduce the risk of electrical shock, and to assure proper operation, this fixture must be adequately grounded. To accomplish proper grounding, there must be a separate ground wire (green) contact between this fixture and the ground connection of your main power supply panel.
- This fixture is intended to be used for general indoor lighting in dry or damp locations.
- Disclaimer

Changes or modifications not expressly approved by the party responsible for compliance could void the user's authority to operate the equipment. NOTE: This equipment has been tested and found to comply with the limits for a Class B digital device, pursuant to Part 15 of the FCC Rules and Canadian ICES-005 (B) / NMB-005 (B). These limits are designed to provide reasonable protection against harmful interference in a residential installation. This equipment generates, uses and can radiate radio frequency energy and, if not installed and used in accordance with the instructions, may cause harmful interference to radio communications. However, there is no guarantee that interference will not occur in a particular installation. If this equipment does cause harmful interference to radio or television reception, which can be determined by turning the equipment off and on, the user is encouraged to try to correct the interference by one or more of the following measures:

- Reorient or relocate the receiver antenna.
- Increase the separation between the equipment and receiver.
- Connect the equipment into an outlet on a circuit different from that to which the receiver is connected.
- Consult with the dealer or an experienced radio/TV technician for help.

Any modifications to this fixture may void the warranty and interfere with the safe operation of the luminaire.

Operation is subject to the following two conditions: (1) this device may not cause interference, and (2) this device must accept any interference, including interference that may cause undesired operation of the device.

- Please contact AFX Engineering Dep for FCC report at AFX, Inc., 2345 N. Ernie Krueger Circle, Waukegan, IL, USA or Telephone: 1-847-249-5970.

## Assembly Instructions

### Step 1 – Preparing for installation

- A. **Disconnect electrical power** at fuse or circuit breaker box before installing or servicing any part of this fixture.
- B. Carefully remove the fixture from the carton, remove components from hardware kit.
- C. Determine input power connection method: cord, hardwire with BX connector (7 – included), or link with butt connector (9 – included). Follow corresponding directions below.

### Step 2 – Cord to outlet installation

- A. Fixture must be mounted within 5ft of an outlet to input side of the fixture if using power cord. Power cord **NOT** included (sold separately).
- B. Connect cord to fixture by snapping the quick connect end of the cord to the corresponding connector in the end of the fixture marked "INPUT". The cord will only connect to the "INPUT" connector so make sure the right connector is identified. Do not force the connection, it should snap in easily.
- C. Follow the directions for mounting show in **Step 6**.
- D. Once mounting is completed, plug the cord into the outlet.
- E. The unit can now be turned on with the power switch (2). To toggle between color temperatures of 2700K, 3000K, and 4000K, turn the fixture on and off quickly. If the fixture is turned off for more than 5 seconds, it will remain at the most recently set color temperature when it is turned back on.

### Step 3 – Hardwire installation

- A. Loosen the screw (4) on the back of the fixture and remove the back plate (3)
- B. Remove appropriate knockout from the back plate for wiring.
- C. Insert BX connector (7) into the open hole and secure it on the backside with a nut (8).
- D. Determine the length of BX cable (not included) and add about 5" or an appropriate length for the stripping purposes. Cut the required length of the cable. Trim away the insulation. Push the exposed wires (hot, neutral and ground) through the anti-short bushing (not included) and slide this bushing all the way down to the exposed wires until it is snug up against the armor.
- E. Follow the directions for wiring shown in **Step 5**.
- F. Insert bracket back into main housing and re-tighten screw (4) back to secure it.

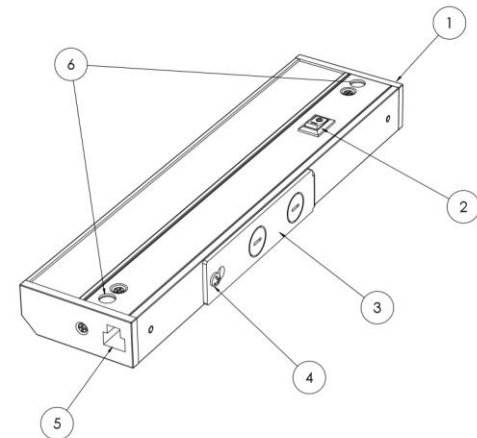


FIGURE 1

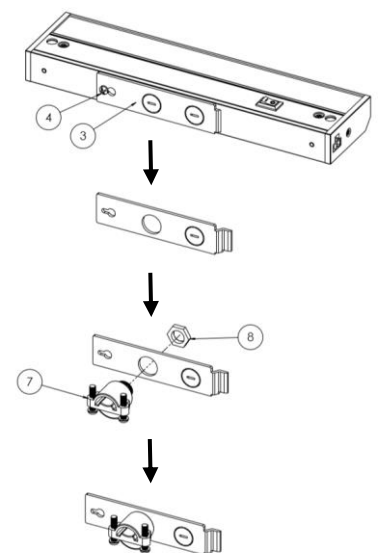


FIGURE 2

# LED Indoor Luminaires Undercabinet 120VAC, 50/60Hz

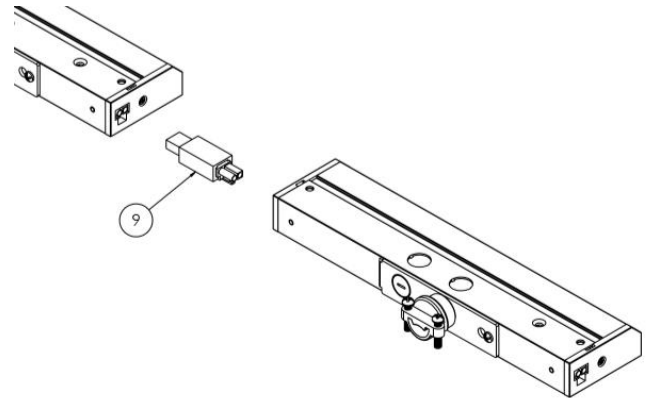
Part #: VRAU09\*\*, VRAU14\*\*  
VRAU22\*\*, VRAU32\*\*  
VRAU40\*\*

## Step 4 – Link to fixture installation

- First fixture in series can be corded (step 2) or hardwired (step 3).
- If using butt connector (9), additional fixtures must have a 1" gap between them. See below for number of fixtures that can be linked together.

Model	VRAU09**	VRAU14**	VRAU22**	VRAU32**	VRAU40**
Adjacent Linking Qty.	40	25	16	11	9

- If using a linking cord, fixture must be located within desired length of linking cord being used: 12", 24", 36", 48" or 72" for linking cords (sold separately).
- Make sure power is off on all fixtures.
- Connect the linking cord or butt connector (9) to the "OUTPUT" connector of the first fixture and into the "INPUT" connector of the second fixture
- Follow the directions for mounting show in **Step 6**.
- Once mounting is completed, energize the first fixture (*Each fixture is controlled individually*).

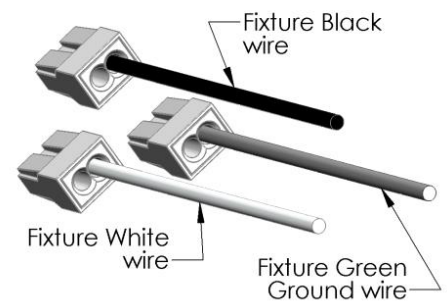


## Wiring – All wiring must take place inside junction box (not included)

**Caution:** Make sure power is off at fuse or circuit breaker box. Check power wires for damage or scrapes. If power supply wires are within three inches of the LED driver, use wire suitable for at least 90°C (194°F). **Note:** Most dwellings built before 1985 have supply wire rated to 60°C. Consult a qualified electrician to ensure correct branch circuit conductor before installing.

## Step 5 – Wiring

- Pull the green, black, and white wires out of the fixture to allow connection to the branch circuit.
- Connect the green ground input supply wire to the fixture green ground wire. Do this by inserting it into the open hole in the push-in wire connector (included) that is attached to the green ground wire in the fixture.
- For non-dimming fixture.** Connect the white wire from the fixture to the white (N) wire from supply power source. Do this by inserting it into the open hole of the push-in wire connector that is attached to the white wire in the fixture. Connect the black fixture wire to the black (L) wire from supply power source. Do this by inserting it into the open hole of the push-in wire connector that is attached to the black wire in the fixture.
- For TRIAC dimming.** Connect the white wire from the fixture to the white (N) wire from dimming source per dimmer wiring instructions. Do this by inserting it into the open hole of the push-in wire connector that is attached to the white wire in the fixture. Connect the black wire from the fixture to the black (L) wire from dimmer supply power source per dimmer wiring instructions. Do this by inserting it into the open hole of the push-in wire connector that is attached to the black wire in the fixture.
- Do not mix wires.** Pull on each wire lead to make sure connections are secure. Make certain no bare wires are exposed outside of wire connectors. Tuck all connections neatly into the junction box.



## Step 6 – Mounting

- Use captivated screw hole locations (6) for mounting the fixture, position the fixture in location intended for mounting. Mark the hole locations by using the screw-holes as a guide. Drill suitable pilot holes in the marked positions. Mount the housing to desired surface with the two captivated screws.

## Step 7 – Restore power at fuse or circuit breaker box

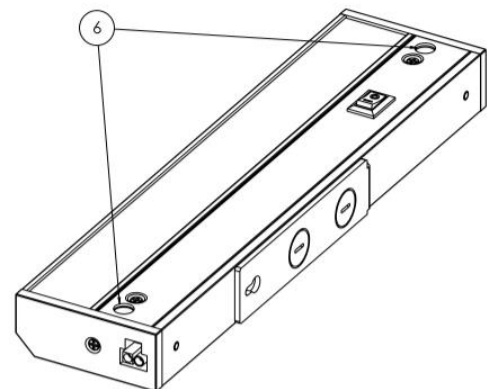


FIGURE 3

### Limited Factory Warranty

This product is manufactured by AFX Inc. AFX Inc. hereby warrants that this fixture is free from defects in materials and workmanship when installed and used under normal operating conditions for a period of 7 years from date of purchase. This warranty covers all component parts and extends only to replacement of defective fixture or components; it does not cover failure due to improper installation, misuse, mishandling or damage incurred in transit. For questions, please call AFX 1-800-873-2326.